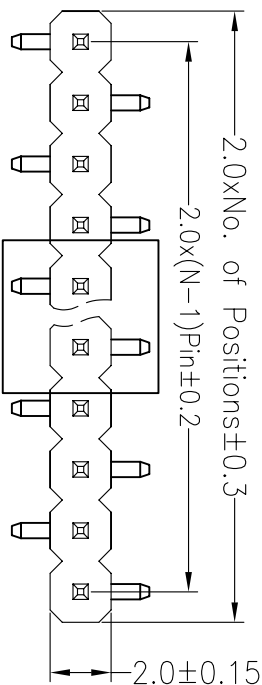
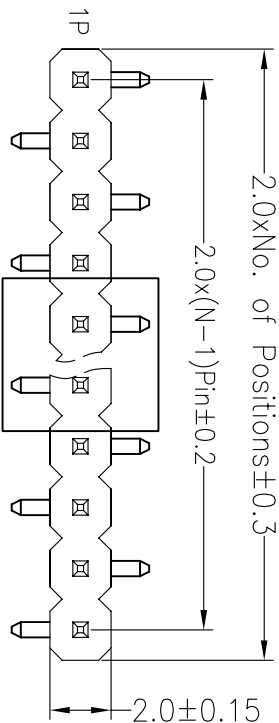


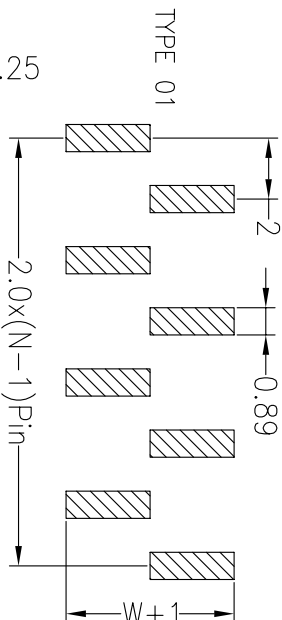
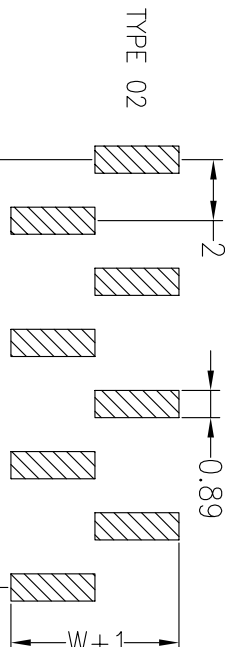
## SPECIFICATIONS

Rated Current: 1.5AMP  
 Contact Resistance: 20mΩ Max  
 Withstand Voltage: 500V AC/DC  
 Insulation Resistance: 1000MΩ Min  
 Operation Temperature: -40°C to +105°C

Contact Material: Brass  
 Contact Plating: Au or Sn Over Ni  
 Insulator Material: Polyester (UL94V-0)  
 Standard: PA6T  
 Max. Processing Temp: 230°C for 30-60 seconds<sup>1P</sup>  
 (260°C for 5 seconds)



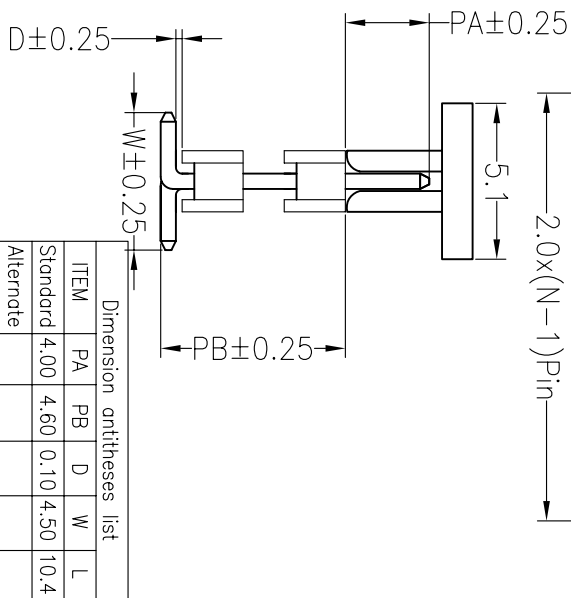
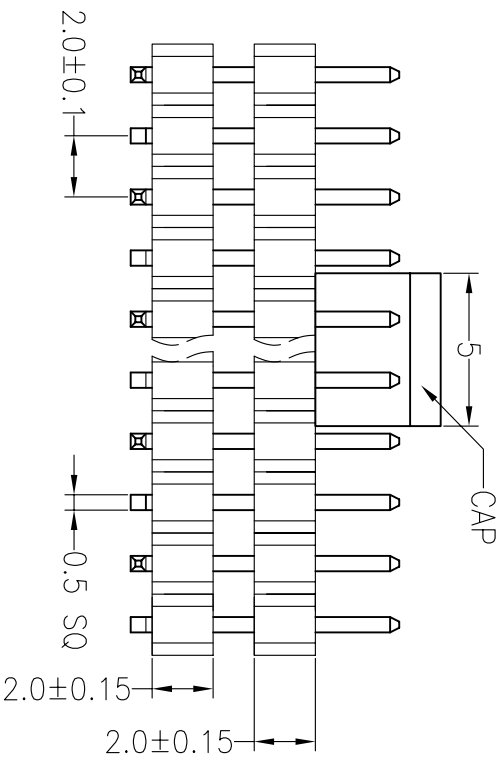
Recommended P.C.B Layout (Top Side)  
 (PCB BOARD TOLERANCE ±0.05)



## Ordering Information

1320 2 1 XX X N XX M XXX X 01(2)

No. of Pins Per Row 1+1 ~ 1\*40  
 Insulator Material Option  
 A=BK-PBT  
 B=BK-PA66  
 C=BK-PA6T  
 D=BK-PA46  
 F=BK-LCP  
 Post: W=With Post N=With O Post  
 Contact Plating Pin Length  
 G0: Gold Flash  
 G1: 3U" Gold  
 G2: 5U" Gold  
 G3: 10U" Gold  
 G4: 15U" Gold  
 G5: 30U" Gold  
 S0: Gold Flash/Tin  
 SN: Tin  
 Packing  
 0=PE Bag  
 A=Troy  
 T=Tube  
 P=Tube+Cap  
 R=Reel+Cap



ITEM	PA	PB	D	W	L
Standard	4.00	4.60	0.10	4.50	10.4
Alternate					

**JIN** 深圳市锦凌电子有限公司  
 SHENZHEN JINLING ELECTRONIC CO., LTD  
 Tel: 86-755-2997-5806 5802 Fax: 86-755-2997-5992

REV	DATE	MODIFICATION DESCRIPTION	CHANGE	OPERATION	DRAW	Ben	12.10.05	SCALE	FIT	PART NO.	TITLE:
A0	2012.10.05	NEW DRAWING		X.X ±0.30	CHECK			UNIT mm	A4	132021XXXXXXMXXXX01(2)	2.0PH 1xNpin 2+H2.0mm SMT
1				X.XX ±0.20				SIZE A4	1/1		
				X.XXX ±0.10				SHEET			
				Angle ±3°	APPROVE			PROJ.			
				DIM	TOL						