

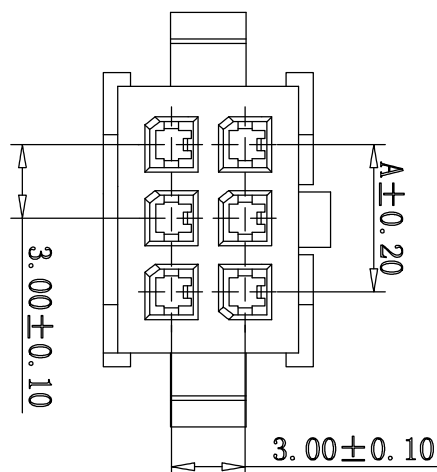
# HSE ROHS

## SPECIFICATIONS

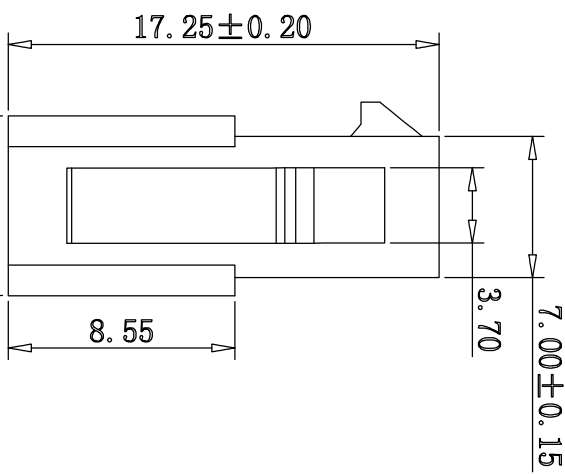
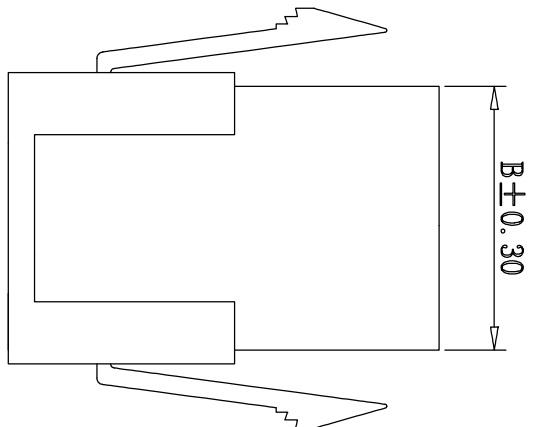
- Voltage rating: 250V AC, DC
- Current rating: 5A, AC, DC
- Withstanding Voltage: 1500V AC/minute
- Insulation resistance: 1000MΩ min
- Temperature range: -25° C +105° C
- Contact resistance: 10mΩ max

## HOUSING

- Poles: 02-24
- Material: Nylon 66 UL 94V-2



Pin No.	Dimensions (mm)	
	A	B
2*01	—	3.85
2*02	3.00	6.85
2*03	6.00	9.85
2*04	9.00	12.85
2*05	12.00	15.85
2*06	15.00	18.85
2*07	18.00	21.85
2*08	21.00	24.85
2*09	24.00	27.85
2*10	27.00	30.85
2*11	30.00	33.85
2*12	33.00	36.85



## Ordering Information

JL3001H - 2 XX B 02

H=Housing  
No. of Pins  
2\*2-12p  
Insulator Color  
B=Black

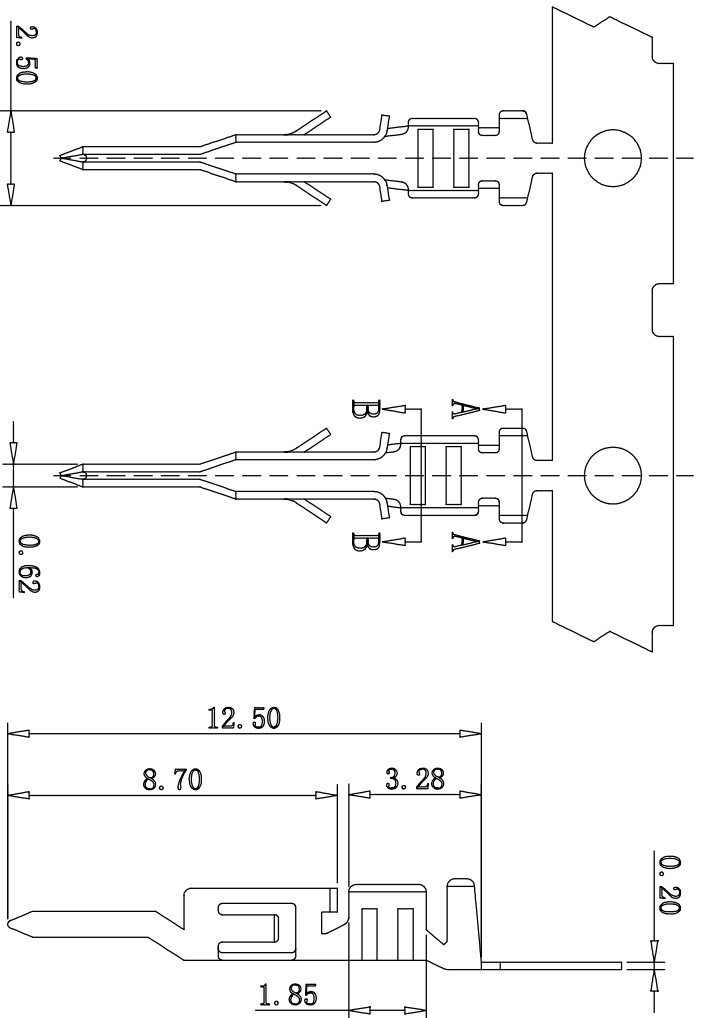
REV	DATE	MODIFICATION DESCRIPTION	CHANGE	OPERATION		DRAW	ChenWei	19.01.18	SCALE	FIT	PART NO.	TITLE:
				DIM	TOL							
A0	2019.01.18	NEW DRAWING		X.X	$\pm 0.30$	CHECK			mm	A4	JL3001H-2XXB02	3.00mm Housing Npin
1				Angle	$\pm 0.10$	APPROVE			1/1			

**JIN** 深圳市锦凌电子有限公司  
SHENZHEN JINLING ELECTRONIC CO.,LTD  
Tel: 86-755-2997-5806/5802 Fax: 86-755-2997-5992

**HSF** RoHS

TERMINAL

- Applicable wire: AWG#20-#24
- Material: phosphor Bronze
- Finish: Tin plated



### Ordering Information

JL3001 - T P SN 02

Material Option  
P=Phosphor Bronze

Contact Plating  
SN:Tin  
GO:Gold Flash

SEC A-A

SEC B-B

REV	DATE	MODIFICATION DESCRIPTION	CHANGE	OPERATION		DRAW	ChenWei	19.01.18	SCALE		FIT	TITLE:	
				X.X	±0.20				UNIT	mm		PART NO.	JL3001-TPSN02
A0	2019.01.18	NEW DRAWING		X.XX	±0.10	CHECK			SIZE	A4		SHEET	1/1
1				Angle	±1°	APPROVE			SHEET	1/1		PROJ.	MX3.00 Terminal

**JIN** 深圳市锦凌电子有限公司  
SHENZHEN JINLING ELECTRONIC CO.,LTD  
Tel: 86-755-2997-5806/5802 Fax: 86-755-2997-5992