

NOTES1:

- UL Standard
- 1. Rated voltage/current : 300V / 15A
- 2. Withstanding voltage : AC1600V/1Min.

IEC Standard

1. Pollution degree	2	2	3
Overvoltage category	II	III	III
Rate impulse voltage(KV)	4KV	4KV	4KV
Rate voltage(V)	630V	320V	320V
Rate current(A)		20A	

NOTES2:

- 1. Dimension shall be interpreted per ASME Y14.5-2009
- 2. Pitch : 5.00mm, Poles : N=02~24P
- 3. Operating temperature: -40°C~+105°C
- 4. Undimensioned tolerances:

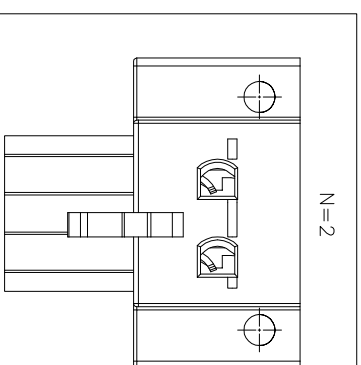
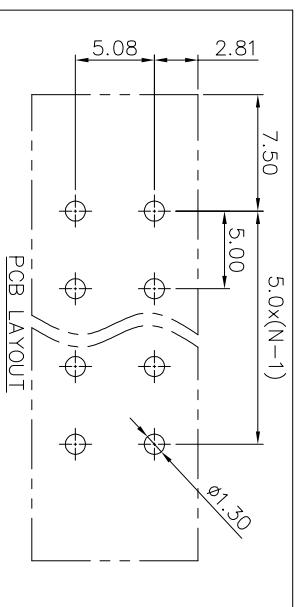
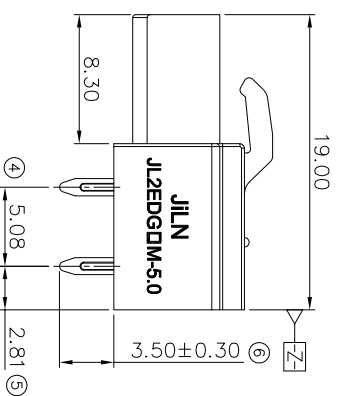
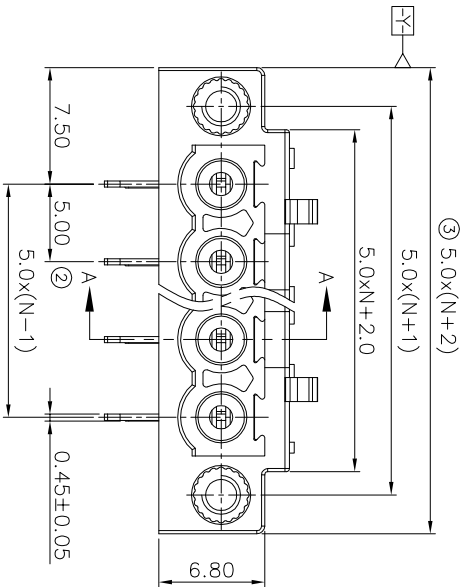
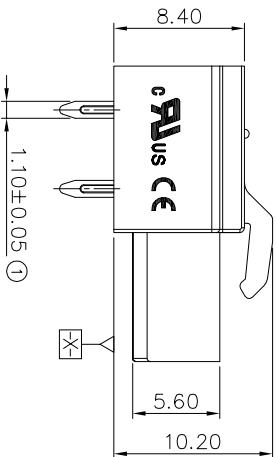
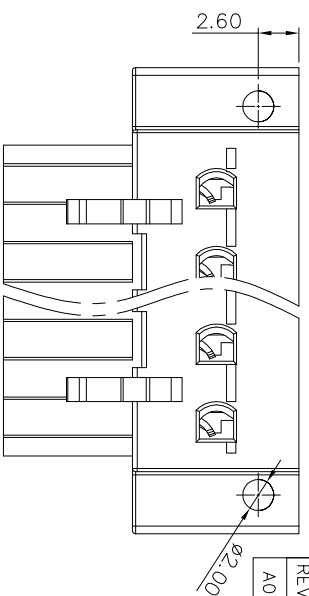
Pitch range in mm	Nominal dimension range in mm			Tolerance
	Over	TO	Under	
6 TO 10	6	10	6	0.1/10
10 TO 24	10	24	10	<
30 TO 60	30	60	30	<
60 TO 100	60	100	60	<
100 TO 150	100	150	100	<
±0.15/±0.20/±0.30/±0.50/±0.70/±1.00/±1.30				±2'

5. RoHS Compliance

Ordering Information

JL2EDGAM - 500 XX G 0 1

Pitch 500=5.00PH
 No. of pins 2P,3P,4P~12P
 Housing Color B=Black, G=Green, U=Blue, R=Red, W=White, Y=Yellow, D=Orange, E=Grey
 Packing 0=Pe bag, T=Tube, A=Tray



REVISION RECORD				
REV	ECN	DESCRIPTION	DRFT	DATE
A0		NEW		21.06.10

JILIN 东莞市锦凌电子有限公司
 DONGGUAN JINLING ELECTRONIC CO., LTD

DRAW	SHUANGPING ZHENG
CHECK	LICHAD LIU
APPROVE	YONGLIANG GAO

SCALE	FIT
UNIT	mm
SIZE	A4
SHEET	1/1
PRD J	

PART NO.	JL2EDGAM-500XXG01
TITLE:	JL2EDGAM-5.0-XXP 插拔式母座/弯脚/绿色/带耳